

# Spot Light Series



## Applications

- . Modern Interior
- . Building Lobby
- . Front Door Signboard and Logo
- . Commercial Display Shelve
- . Jewelry and Cosmetic Case
- . Painting Corridors

## Features and Benefits

- . **Cost Efficient** compare to traditional halogen bulbs, saves up to 80% of energy consumption
- . **Low Heat Emmission** from the surface can reduce electrical consumption from the air-conditioning units. Low heat spotlight also greatly reduce or prevents liquid-based products from evaporation, especially cosmetic creams or perfumes.
- . **Superb Long Lifespan** at rated life of up to 30,000 hours (Equivalent to 8 years of usage). Therefore reduce the replacement cost on changing bulbs, and also no more hazzle of maintainance replacement.
- . **Flexibility and High Brightness** Small in size and weight allows designers creativity to run wild, various wattage and intensity choices comes with high brightness to suit any space. Our products also ensures spectrum in vivid saturated colors.
- . **Safety** with aluminium and plastic enclosure combination, our products far exceed standards on drop test functionality. (NO GLASS CONTENT)
- . **No UV** radiation emit
- . **Environmental Friendly** and green products greatly reduce energy consumption and Co2 emission.

## ECCO LED Spot Light Series

Product Name	Power Consumption (Watt)	Base Type	Input Voltage	Luminous Flux (lm)
Spot Light A	3W	MR16 / GU10	DC 12V	330
Spot Light B	3W	MR16 / GU10	DC 12V	240
Spot Light	5W	E26/E27	AC220-240V	550
Spot Light	7W	E26/E27	AC220-240V	770

## Safety Note

Assembly must not damage or destroy conducting paths on the board.

Correct electrical polarity need to be observed.

Wrong polarity may destroy the luminaires and will result in no light emission

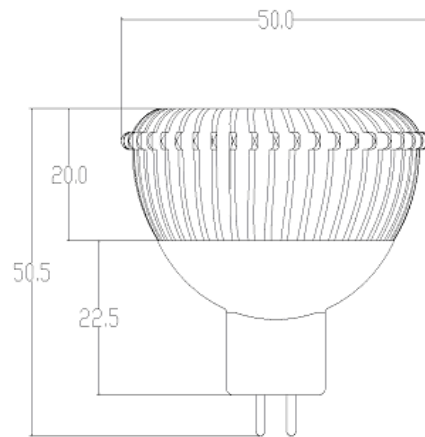
Parallel connection is highly recommended as safe electrical operation mode.

Damage by corrosion will not be honored as a materials defect claim

Pay attention to standard ESD precautions when installing the module.

*Note: All specifications subject to change without prior notice.*

## Spot Light 3W A



Ø50\*50.5mm(H)

### Specification / 产品规格

Base Type / 综合描述		Electrical/技术--电参数	
Base(Std designation) / 灯座	MR16	Construction Current / 电流	1.2A
RoHS	Yes	Power Consumption / 输出功率	3W
CE	Yes	Input Voltage / 输入电压	DC 12V

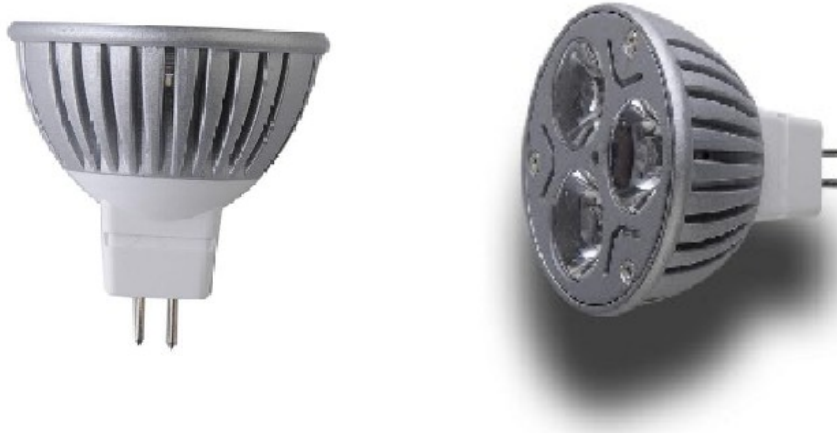
Light Range/技术--光参数		Options/可选配置	
Colour temperature / 色温	Warm(3000K)/Cool(6500K)	Color Designation / 灯光色调	Warm / Cool White
Dimmable / 能否调光	No	Enclosure / 灯罩	Clear/Frost
Luminous flux / 光流量	Warm(300 lm) Cool (330 lm)	Base Type / 灯座	MR16 / GU10
Luminous Efficacy / 光效	Warm (100 lm/W) Cool (110 lm/W)		
Beam angle / 光束角度	45°		

Rated Life/技术--寿命		Packaging/包装	
Rated Life / 预计寿命	30,000 hours	Packing Size/Wgt per Piece	1PC/54*54*57mm/52g
Ambient Temp / 环境温度	(-25 to 50)°C	Qty per box	90PCS
		Packing Size/Wgt per Box	339*282*215mm/6KG

Ecco Sys Pte Ltd Mail:sales@ecco-sys.com Tel :(65)6447 8587 Fax:(65)6447 9493



## Spot Light 3W B



Ø49\*51mm(H)

### Specification / 产品规格

Base Type / 综合描述		Electrical/技术--电参数	
Base(Std designation) / 灯座	MR16	Construction Current / 电流	1.2A
RoHS	Yes	Power Consumption / 输出功率	3W
CE	Yes	Input Voltage / 输入电压	DC 12V

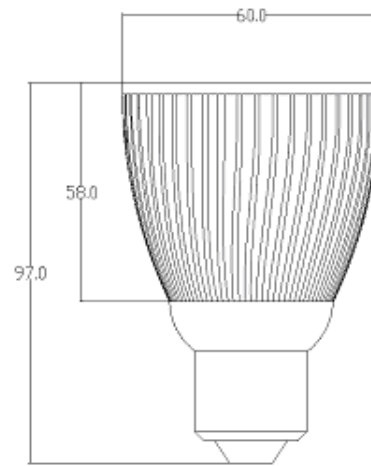
Light Range/技术--光参数		Options/可选配置	
Colour temperature / 色温	Warm(3000K) / Cool(6500K)	Color Designation / 灯光色调	Warm / Cool White
Dimmable / 能否调光	No	Enclosure / 灯罩	Clear
Luminous flux / 光流量	240 lm	Base Type / 灯座	MR16 / GU10
Luminous Efficacy / 光效	80 lm/W		
Beam angle / 光束角度	45°		

Rated Life/技术--寿命		Packaging/包装	
Rated Life / 预计寿命	20,000 hours	Packing Size/Wgt per Piece	1PC/54*54*57mm/52g
Ambient Temp / 环境温度	(-25 to 50)°C	Qty per box	90PCS
		Packing Size/Wgt per Box	339*282*215mm/6KG

Ecco Sys Pte Ltd Mail:sales@ecco-sys.com Tel :(65)6447 8587 Fax:(65)6447 9493



## Spot Light 5W



Ø60\*97mm(H)

### Specification / 产品规格

Base Type / 综合描述		Electrical/技术--电参数	
Base(Std designation) / 灯座	E27	Construction Current / 电流	2A
RoHS	Yes	Power Consumption / 输出功率	5W
CE	Yes	Input Voltage / 输入电压	AC 220-240V

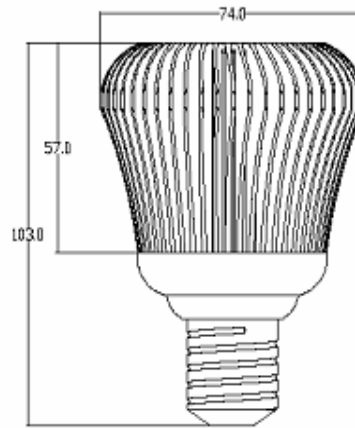
Light Range/技术--光参数		Options/可选配置	
Colour temperature / 色温	Warm(3000K)/Cool(6500K)	Color Designation / 灯光色调	Warm / Cool White
Dimmable / 能否调光	No	Enclosure / 灯罩	Clear/Bubble
Luminous flux / 光流量	Warm(500 lm)Cool(550 lm)	Base Type / 灯座	E26/27
Luminous Efficacy / 光效	Warm(100 lm/W)Cool(110 lm/W)		
Beam angle / 光束角度	45°		

Rated Life/技术--寿命		Packaging/包装	
Rated Life / 预计寿命	30,000 hours	Packing Size/Wgt per Piece	1PC/64*64*128mm/160g
Ambient Temp / 环境温度	(-25 to 50)°C	Qty per box	60PCS
		Packing Size/Wgt per Box	420*340*270mm/11KG

Ecco Sys Pte Ltd Mail:sales@ecco-sys.com Tel :(65)6447 8587 Fax:(65)6447 9493



## Spot Light 7W



Ø75\*105mm(H)

### Specification / 产品规格

Base Type / 综合描述		Electrical/技术--电参数	
Base(Std designation) / 灯座	E27	Construction Current / 电流	2.8A
RoHS	Yes	Power Consumption / 输出功率	7W
CE	Yes	Input Voltage / 输入电压	AC 220-240V

Light Range/技术--光参数		Options/可选配置	
Colour temperature / 色温	Warm(3000K)/Cool(6500K)	Color Designation / 灯光色调	Warm / Cool White
Dimmable / 能否调光	No	Enclosure / 灯罩	Clear
Luminous flux / 光流量	Warm(700 lm)Cool(770 lm)	Base Type / 灯座	E26/27
Luminous Efficacy / 光效	Warm(100 lm/W)Cool(110 lm/W)		
Beam angle / 光束角度	45°		

Rated Life/技术--寿命		Packaging/包装	
Rated Life / 预计寿命	30,000 hours	Packing Size/Wgt per Piece	1PC/79*79*124mm/213.8g
Ambient Temp / 环境温度	(-25 to 50)°C	Qty per box	40PCS
		Packing Size/Wgt per Box	420*340*270mm/10KG

Ecco Sys Pte Ltd Mail:sales@ecco-sys.com Tel :(65)6447 8587 Fax:(65)6447 9493

